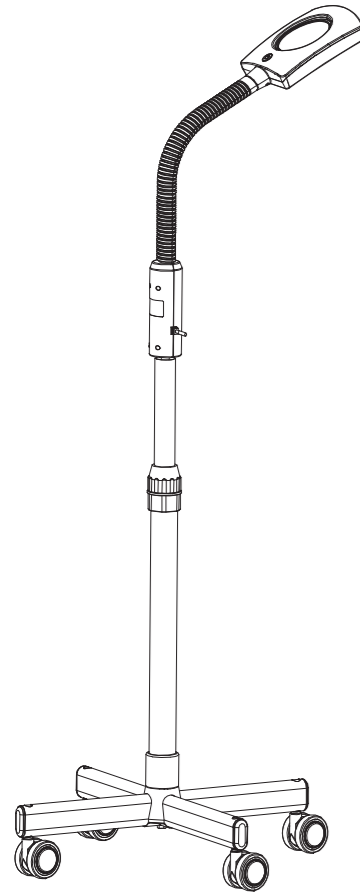


Instruction Manual

SalonSERVE®

SEQ951 / SEQ952



FLOOR STAND STYLE

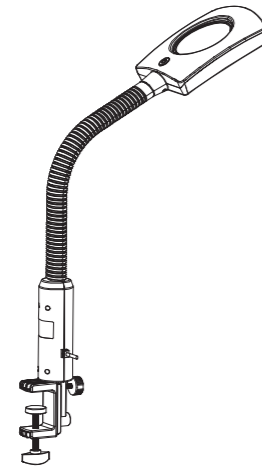
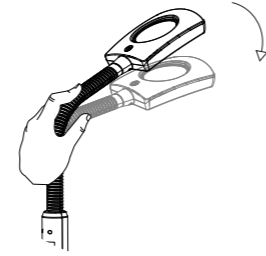


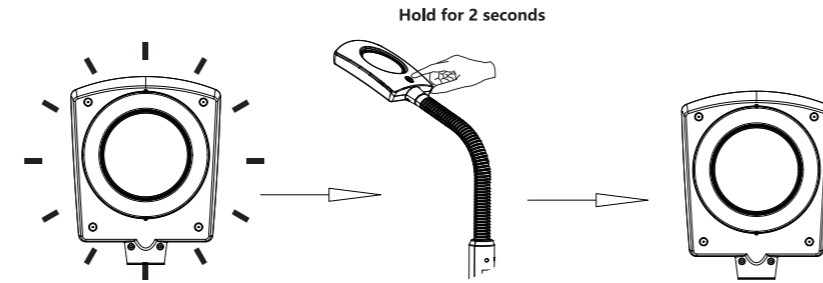
TABLE CLAMP STYLE

LED Magnifying Lamps
Designed by and for Professionals

5. Adjust the gooseneck to your desired angle



6. To switch off the LED lamp, press the ON/OFF button and hold for 2 seconds



WARNING

1. An appliance should never be left unattended when plugged in.
3. Use this appliance only for its intended use as described in this manual. Do not use attachments not recommended by the manufacturer.
4. Never operate this appliance if it has a damaged cord or plug, if it is not working properly, or if it has been dropped, damaged, or dropped into water. Return the appliance to a service center for examination and repair.
5. Keep the cord away from heated surfaces. Do not wrap the cord around the appliance.
6. Never block the air openings of the appliance or place it on a soft surface, such as a bed or couch, where the air openings may be blocked. Keep the air openings free of lint, hair etc.
8. Never drop or insert any object into any opening or hose.
9. Do not use in the outdoors or operate where aerosol (spray) products are being used

Do not expose naked eyes directly to the led lights, doing so may cause discomfort or damage to eyes



MAINTAINING

1. Unplug the unit before maintaining
2. Clean the glass lens with a soft alcohol wipe, or soft fabric with mild detergents

DO not use coarse fabrics to clean the glass lense. doing so many scratch the lens and reduce the transparency



Maintenance records

Repair date:	Date of inspection:
Maintenance units:	Repairer's signature:

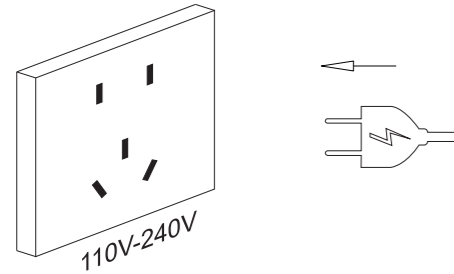
CE RoHS Made in China

VOLTAGE: 110V-240V 50HZ/60HZ BRIGHTNESS: ADJUSTABLE 1000LX - 1600LX
POWER: 9.5W (66 LED BULBS) COLOR TEMPERATURE: 8500K

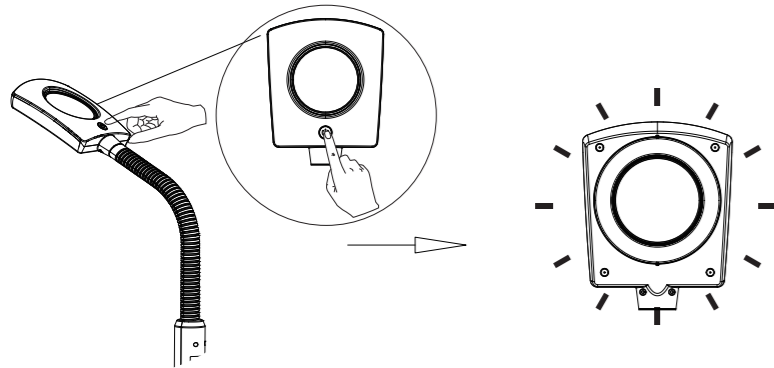
DIOPTERS OF MAGNIFYING LENSE: X3 X5

OPERATION

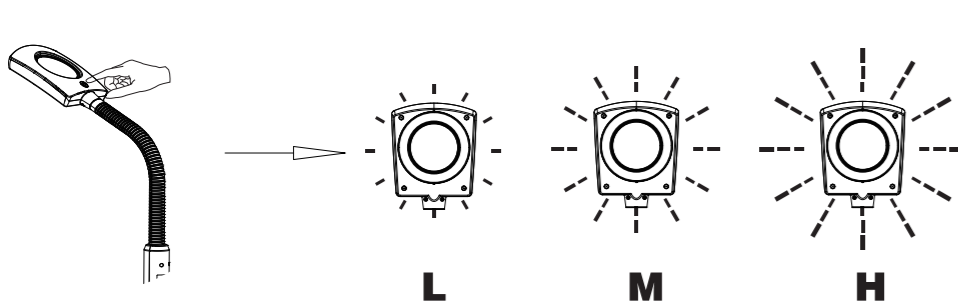
1. Check and make sure the unit is securely installed
2. Plug in and connect to 110V-240V power



3. Press the ON/OFF button and the LED lamp will illuminate.

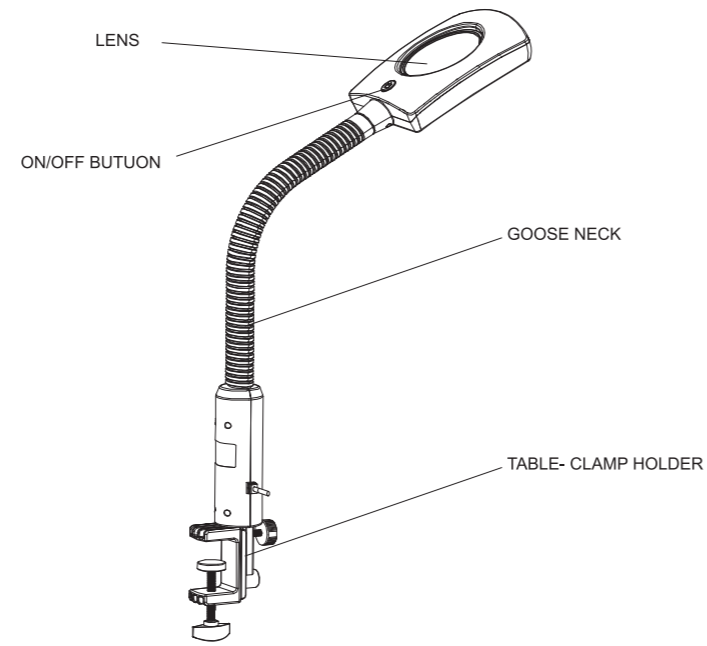


4. Press the ON/OFF button again to adjust brightness



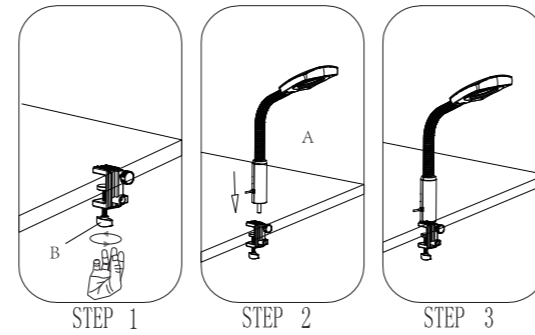
4

COMPONENT NAMES (Table Clamp Style)



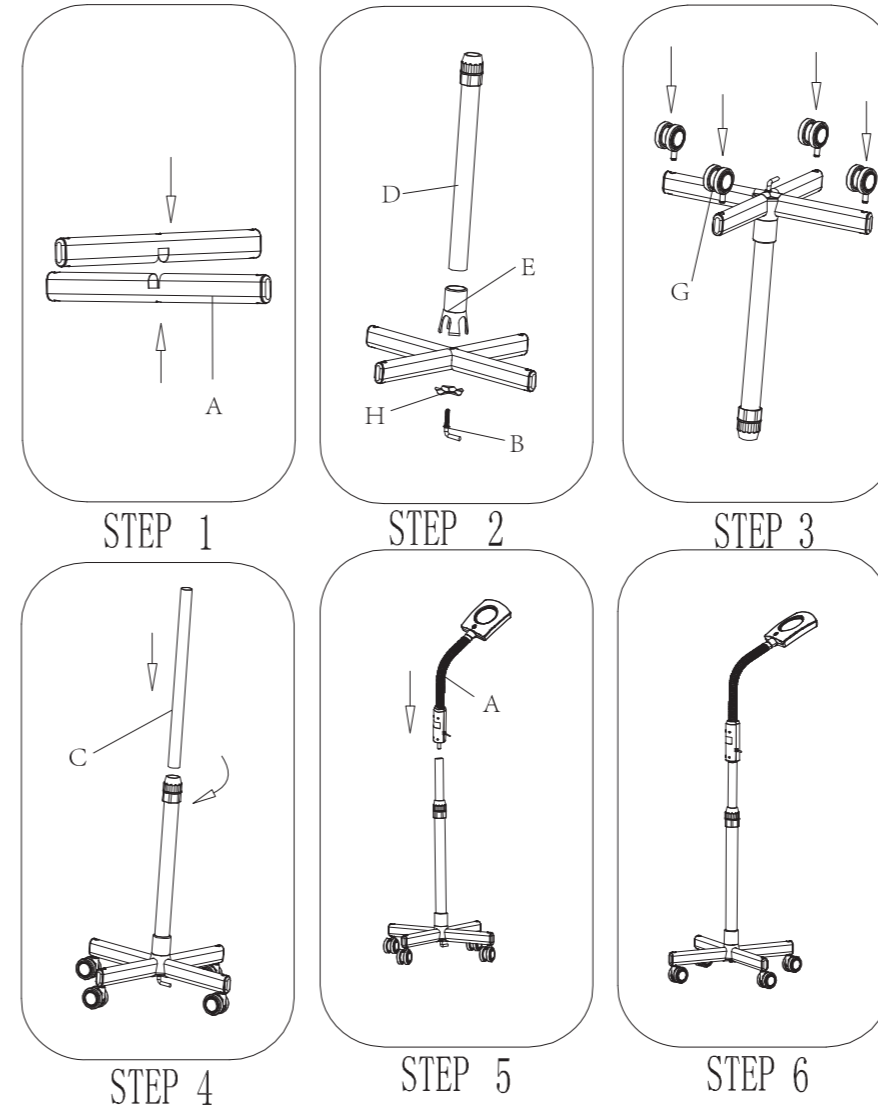
PART LIST & INSTALLATION (Table Clamp Style)

A: MAIN BODY	B: TABLE CLAMP HOLDER
1PCS	1PCS



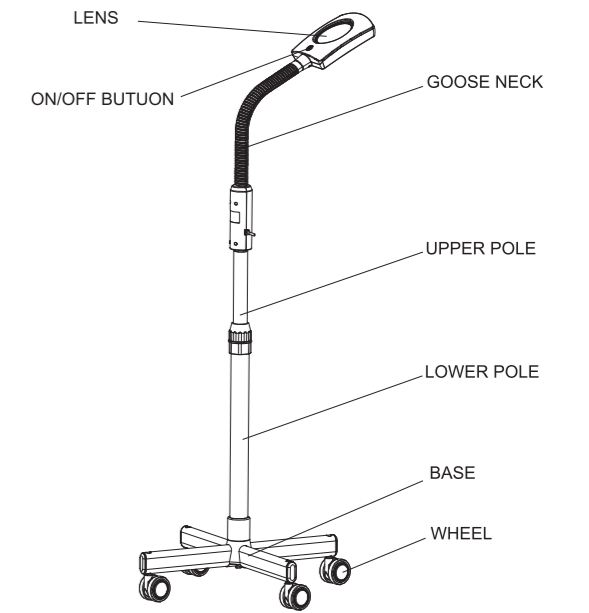
3

INSTALLATION (Floor Stand Style)



2

COMPONENT NAMES (Floor Stand Style)



PART LIST (Floor Stand Style)

A: MAIN BODY	B: UPPER POLE	C: LOWER POLE	D: HUB
1PCS	1PCS	1PCS	1PCS
E: LEG	F: WASHER & BOLT	G: WHEEL	
2PCS	1PCS	4PCS	

1