

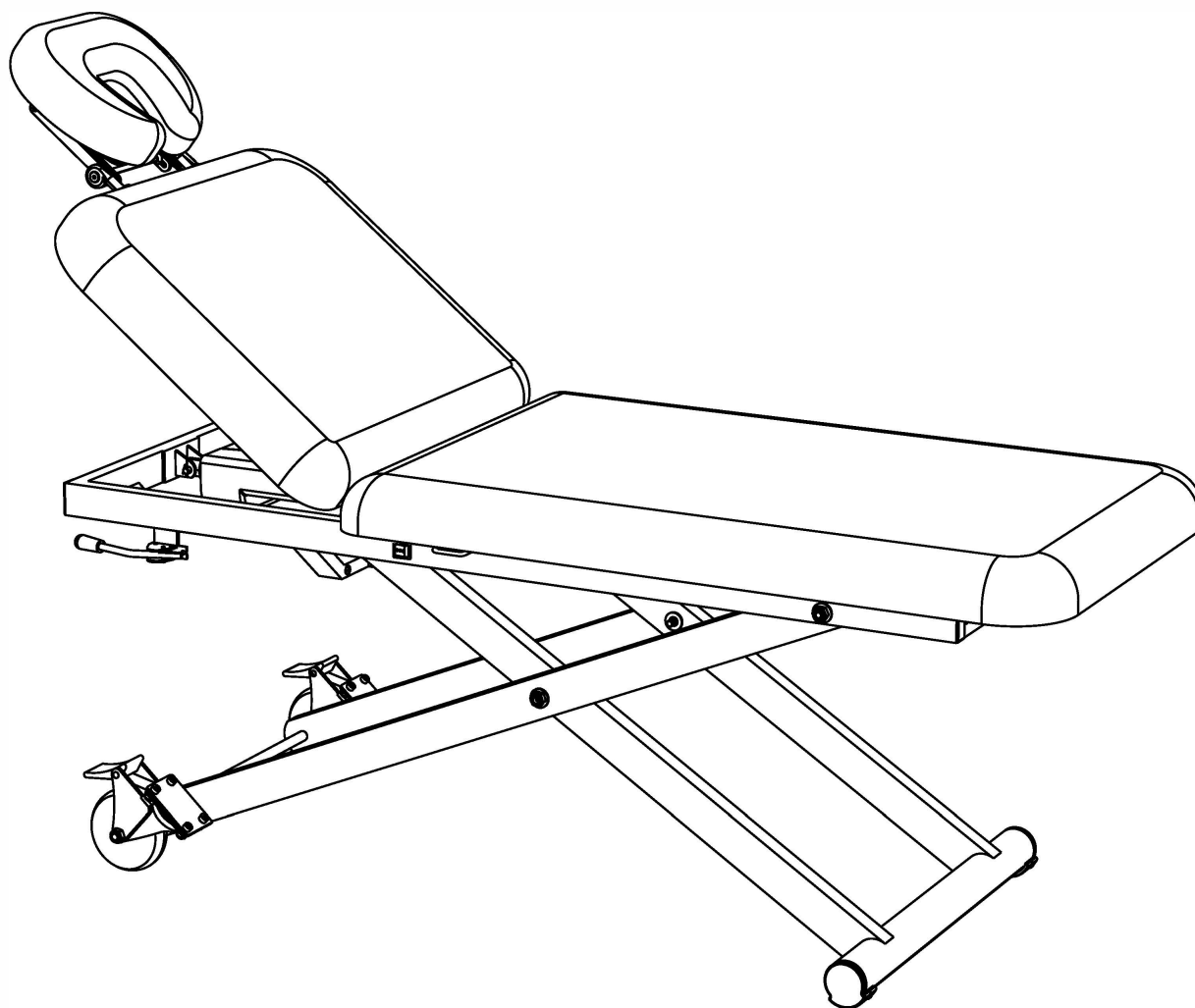
SalonSERVE®

User Manual

Item code: SEQ3360

www.salonserve.com

01933 410 022



Welcome to your SEQ3360 Beauty Couch,
Before using, please read the user manual carefully, thank you.

1. About This Manual

This manual shall only be used for the reference of operation of this particular model. If the manual is used for other purposes, SalonServe will not undertake any according consequences and responsibility. All information of this manual shall be protected by copyright and shall not be copied, copied and translated in any part of this specification without the written consent of our company SalonServe.

2. Warning

Power supply must be turned off when changing electrical components or maintaining and cleaning machines.

The plug must be plugged into an outlet that is properly installed and grounded, to prevent the risk of fire and electric shock.

Do not stand on this equipment.

Do not allow children to play on or near the equipment.

Please adjust the backrest back to the highest position when not in use.

Please do not place the equipment in damp places such as bathrooms, to avoid electric shock or other failure; The remote control should also avoid contact with water.

Please contact distributor, service center or related personnel with appropriate skill and experience for repairing if the plug is damaged.

Maintenance should be carried out by trained professionals.

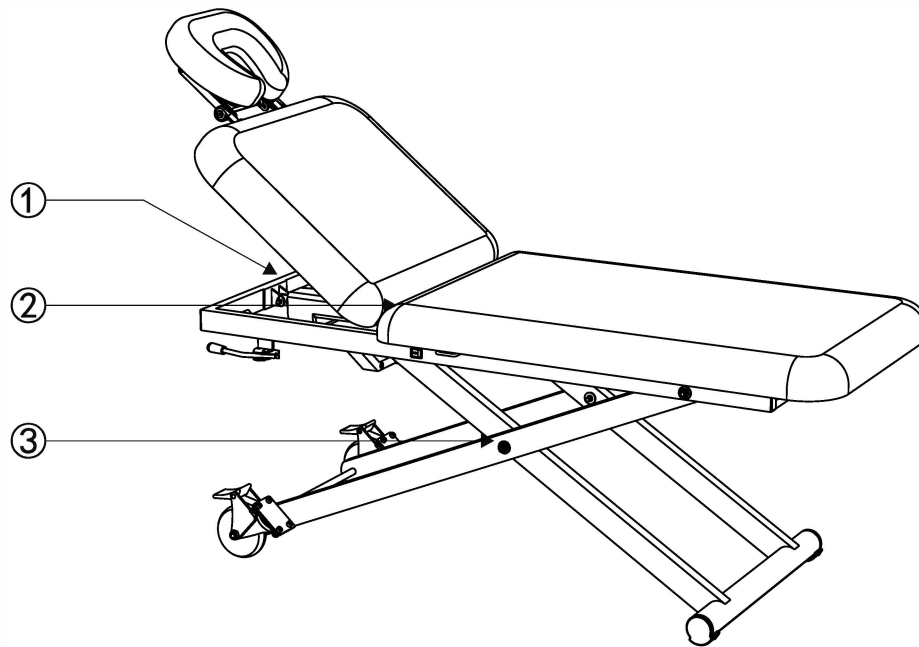
3. Precautions

Read this manual carefully before installation, operation and adjustment. This Electric beauty bed is equipped with a three-wire power cord. The power cord must be plugged into a three-hole outlet which is properly installed and grounded. This is not only to prevent the risk of electric shock, but to also ensure the couch works properly.

When adjusting the backrest, seat cushion, footrest or lifting of the whole bed by manual controller or foot control switch, please keep your hands, feet and head away from the position ①②③ showed on below photo to avoid getting jammed.

While controlling the lifting of the whole bed, the button must be pressed continuously until the bed is in a suitable position. The input frequency should be Ms × 6min/h when operating the motor.

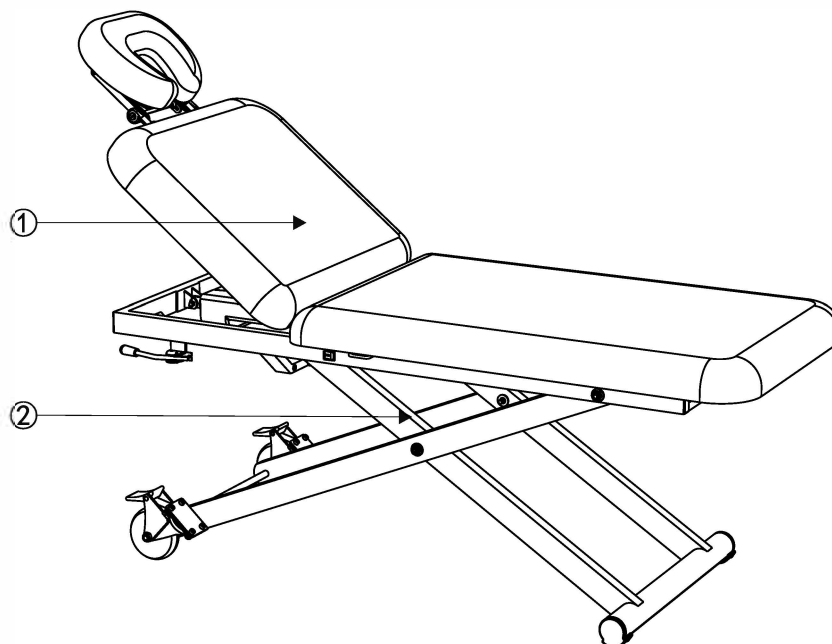
Maintenance should be carried out by trained professionals. After each treatment, please use a pH neutral detergent to clear any dust, stains on vinyl look leather or on plastic cover.



4. Structure of electric beauty couch

This beauty bed consists of controller box, motor, hardware, plastic parts and vinyl look leather. Among them, the controller box is controlling the operation of one motor and the hand controller.

This beauty bed includes angle adjustment of the backrest and lifting adjustment of the whole bed which is an overall and integral structure. (Details as shown below)



① Angle adjustment of the backrest

② Lifting adjustment of the whole bed

5. Serviceable range

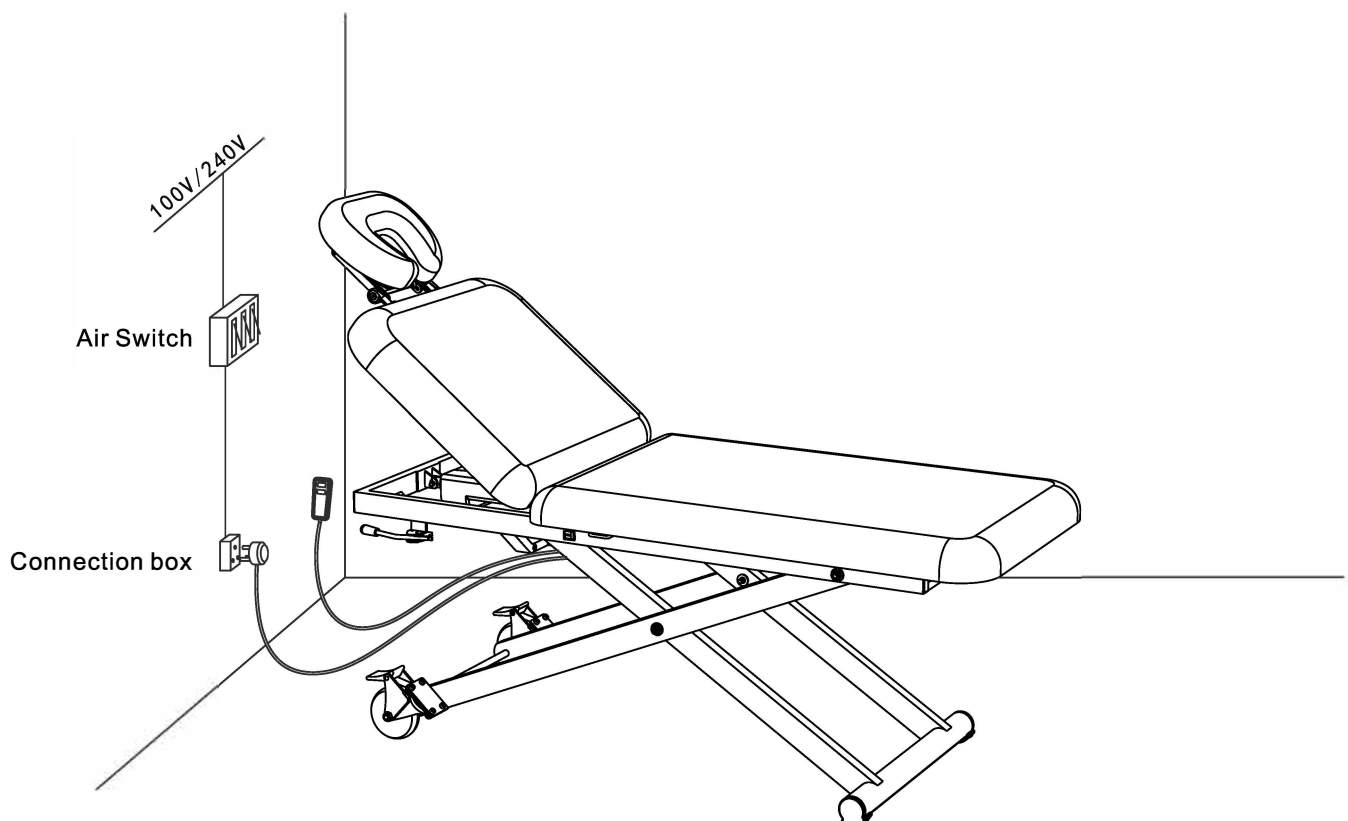
This electric beauty bed is suitable for beauty and massage treatments.

6. Installation

1. Place the couch in an easy to access location with sufficient lighting.
2. Keep in a clean, dry and cool place.
3. Open the packing carton and check the bed over, ensuring all parts and accessories are complete. Please contact SalonServe if there are any issues.
4. Place the bed to the proper position. Please note that there is no need to install extra screws on the floor to fasten the bed, but please ensure the bed is placed on firm and flat ground, to prevent accident or injury. If the bed rotates or slants due to rough ground, you may adjust the four pieces of plastic footing (M10×30) and nuts (M10) with a hexagon open-end wrench, which are fastened on the bottom panel, to ensure the bed is even and stable.

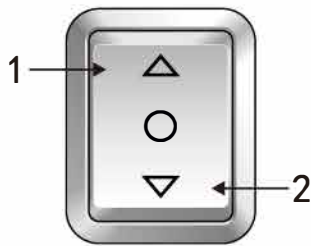
5. Power Input:

Voltage and frequency input shall be AC 100-120, 50/60Hz or 20-240V, 50/60Hz. Plug the bed into the power supply properly. (Details as shown below)

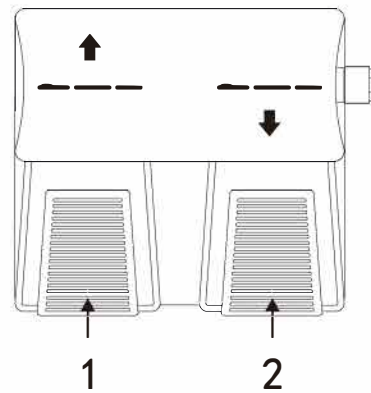


7. Operation Instruction

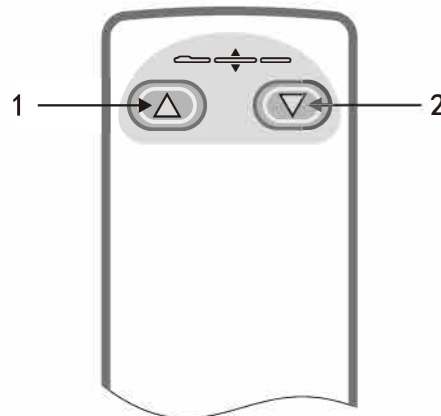
1. Standard configuration (Rocket Switch)



2. Optional configuration (Foot Controller)



3. Standard configuration (Instruction of Hand Controller)

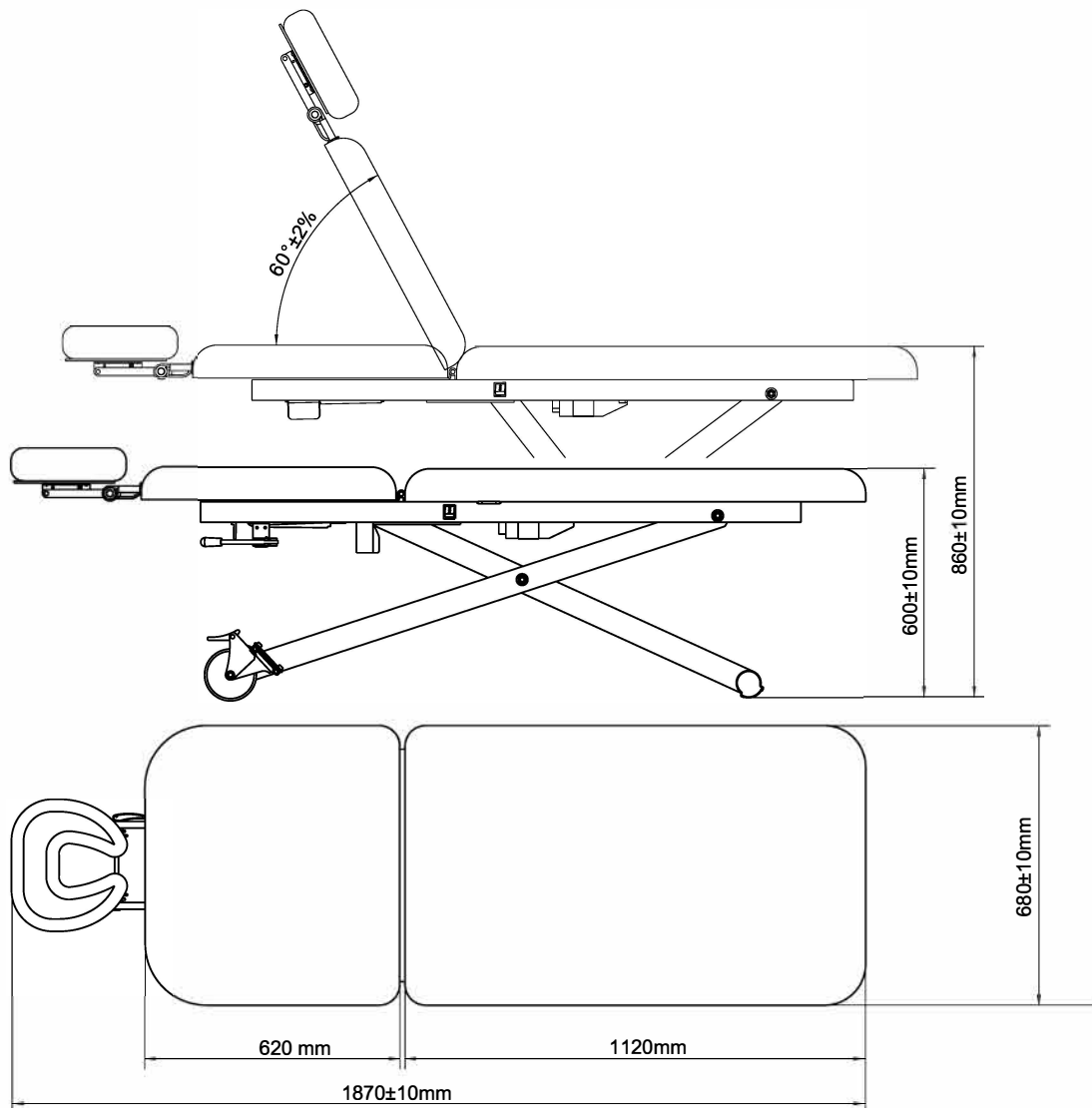


	Description	Operation
1	Whole bed motor goes up	The whole bed goes up smoothly by pressing the button.
2	Whole bed motor goes down	The whole bed goes down smoothly by pressing the button.

8. Technical Parameters

Product size	1870(L) × 680(W) × 600(860) (H) ± 10 mm
Package size	1820 × 720 × 490mm
The highest position	860 ± 10mm
The lowest position	600 ± 10mm
Angle adjustment of the backrest	0° ~ +60° ± 2%
Net weight	50 kg
Gross weight	58 kg

Power	AC 100~120V , 50Hz/60Hz OR AC 220~240V, 50Hz/60Hz
Maximum power	300W
Environment temperature	0°C~+40°C
Relative humidity	30%~90%
Lifting rated load	175 kg

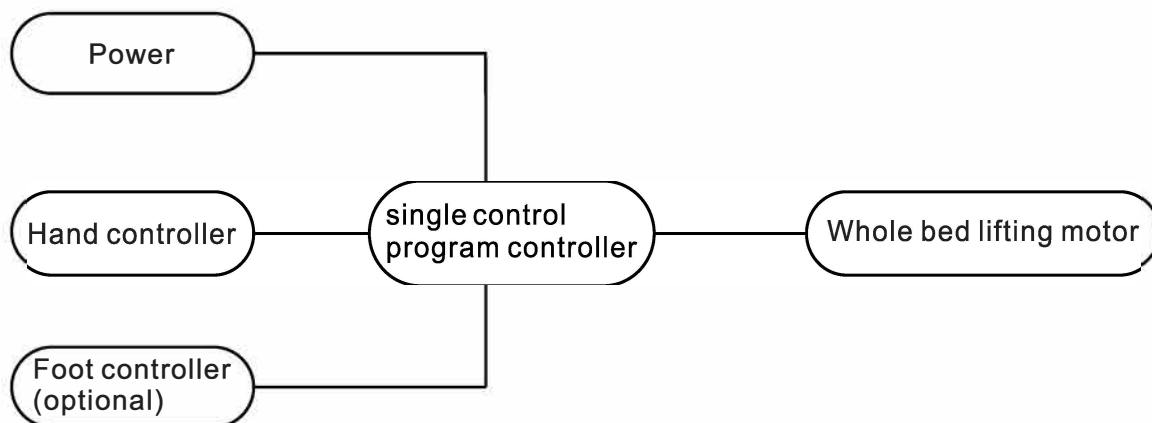


9. Maintenance

After every treatment, please use a ph neutral detergent to clear any dust or stains on the leather or plastic cover. This is to prevent premature aging of the leather and plastic cover.

10. Circuit system connection diagram

AC 100-120V ,50Hz/60Hz OR AC 220-240V,50Hz/60Hz



11. Troubleshooting

Troubleshooting	Reason	Solution
Can't go up or down normally	1. The power cord is unconnected or not plugged in correctly	1. Connect the power cord or plug in correctly
	2. Poor quality of the manual controller	2. Replace the manual control panel
	3. Poor quality of the foot control switch	3. If problem is still not solved after replacing the manual controller or foot control switch, please contact maintenance center or supplier.
	4. Poor quality of the controller box	
	5. Rupture of motor tail	
	6. Motor detonation	
Abnormal sound	1. The rotating parts lack of lubricating oil	1. Add lubricating oil
	2. Rotating position (such as hinge, P, O, M sets) lack of lubricating oil	2. Add lubricating oil
	3. Motor quality problems	3. Replace the motor

Please check the item over before use.
This manual is for reference only.